

# Double Cone Mixer

The MIXACO Tumble Mixer: Gentle Homogenization Economically Implemented

FAST | COST-EFFICIENT | RELIABLE



Double Cone Mixer

## All Advantages at a Glance

- Easy handling and excellent accessibility of all machine components for cleaning
- Gentle homogenization
- Lowest energy input
- No active mixing tools
- Up to 2,000 liters
- Standalone design

## Faster Mixing due to Interchangeable Containers

The Double Cone Mixer consists of two mobile mixing containers of the same size and the Tumble Mixer itself. For the mixing process, the two containers are connected with the container carrier and then runs with 360 degrees.

The MIXACO Double Cone Mixer is the ideal solution for homogenizing several mixing batches in a material-friendly manner.

## Technical Data

Double Cone Mixer	Usable Volume	Batch Size	Mixing Time
	liters	kg	min. / Batch
DCM 450	450	225	3-6
DCM 600	600	300	3-6
DCM 800	800	400	3-6
DCM 1000	1000	500	3-6
DCM 1300	1300	650	3-6
DCM 2000	2000	1000	3-6
<b>Parameters</b>	Bulk Density: 0.5 kg/l		Filling Level: max. 50 %

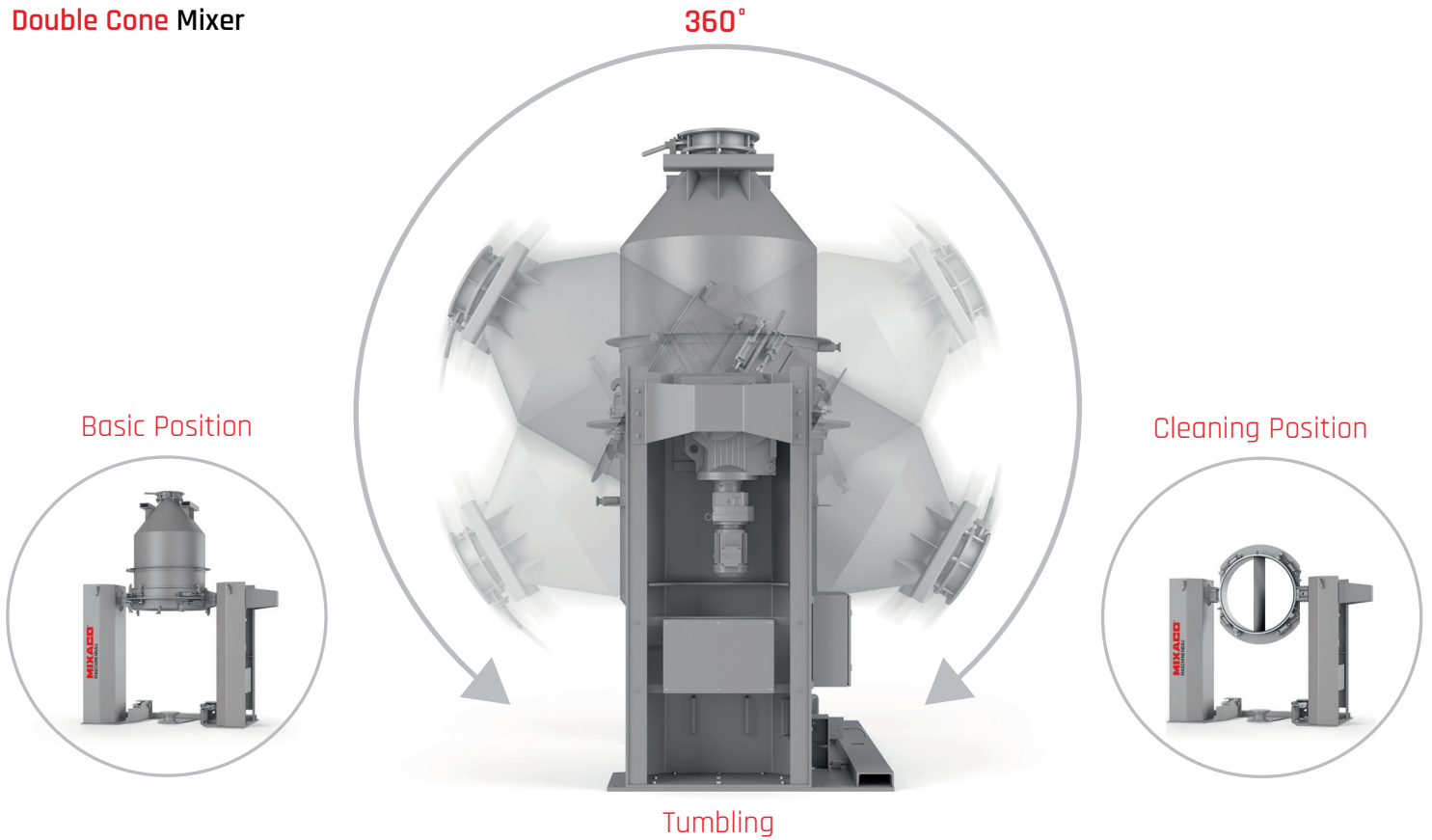
## Custom Solutions

Additional sizes and executions available on request. Get in touch!



# Operation Modes

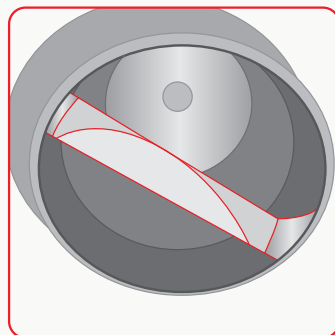
## Double Cone Mixer



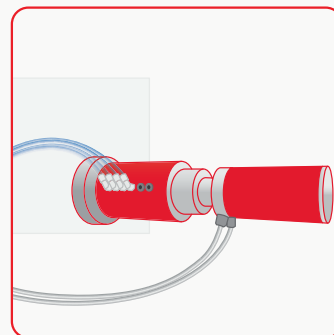
# Details

Due to the fixed internal mixing segment, the material is optimally deflected and mixed during the tumbling process. This ensures an even distribution of the materials involved in the mixing process.

Mixing Segment



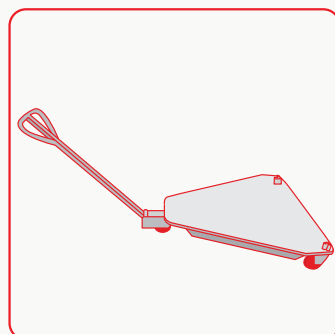
Rotary Transmission



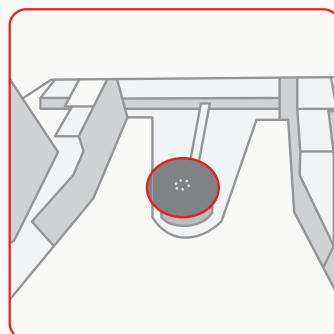
The rotary unit ensures a safe transport of the operating media (e.g. compressed air) to the rotating mixing head.

The container platform, which has proven itself in practice, ensures safe transport of the container from the charging to the Double Cone Mixer or to the discharge device. At the same time, the platform is used to pick up and transport of the container after mixing.

Container Platform



Lifting Cylinder



The lifting cylinder enables the precise lifting of the container from the container platform to the mixing head and back again to the platform.